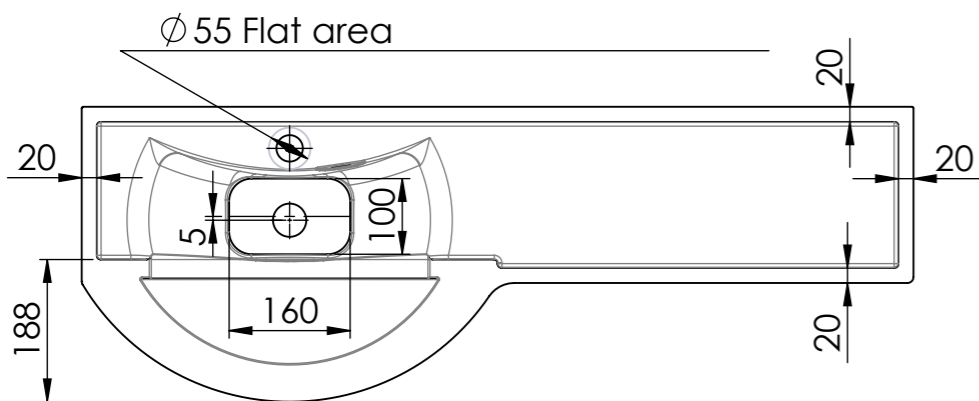


Bottom view



Tolerance total	length	+3/0 mm
	width	+2/0 mm
	height	+2/-2 mm
Tol. height side walls	≤25 mm	+1/-1 mm
	>25 mm	+2/-2 mm
Tolerance holes location		+2/-2 mm
Tolerance holes diameter		+1/-1 mm
Tolerance plane bending		+1,5/-1,5 mm

EASTBROOK

Eastbrook  2025-1487

Material volume[mm³]	Overflow	Taphole	Drain	Main dimensions L x W / H [mm]
6943776.42	YES	1	Regular	1100 x 390 / 177
Surface area[mm²]	Sheet Size	Scale		
883638.81	A3	1:5		